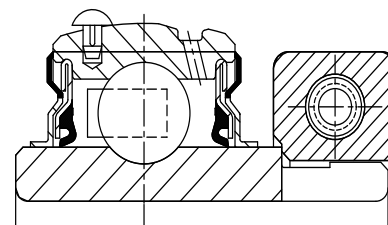
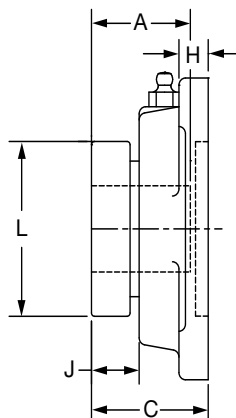
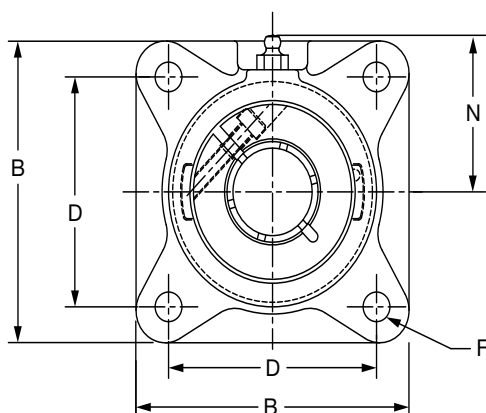




# SELECTION/DIMENSIONS

## D-LOK Ball Bearings DL NORMAL DUTY 4-BOLT FLANGE BEARINGS



Series	Shaft Size	Standard		No Lube/Sealed for Life (-NL)	
		Part No.	Description	Part No.	Description
204	3/4	<b>128775</b>	F4B-DL-012	@	F4B-DL-012-NL
	20mm	<b>126619</b>	F4B-DL-20M	@	F4B-DL-20M-NL
205	7/8	<b>128776</b>	F4B-DL-014	@	F4B-DL-014-NL
	15/16	<b>128777</b>	F4B-DL-015	@	F4B-DL-015-NL
	1	<b>128778</b>	F4B-DL-100	<b>056512</b>	F4B-DL-100-NL
	25mm	<b>126620</b>	F4B-DL-25M	@	F4B-DL-25M-NL
206	1-1/8	<b>128779</b>	F4B-DL-102	@	F4B-DL-102-NL
	1-3/16	<b>128780</b>	F4B-DL-103	<b>062408</b>	F4B-DL-103-NL
	1-1/4	<b>128781</b>	F4B-DL-104S	<b>068320</b>	F4B-DL-104S-NL
	30mm	<b>126621</b>	F4B-DL-30M	<b>062491</b>	F4B-DL-30M-NL
207	1-1/4	<b>128782</b>	F4B-DL-104	<b>058898</b>	F4B-DL-104-NL
	1-3/8	<b>128783</b>	F4B-DL-106	<b>068758</b>	F4B-DL-106-NL
	1-7/16	<b>128784</b>	F4B-DL-107	<b>059705</b>	F4B-DL-107-NL
208	35mm	<b>126622</b>	F4B-DL-35M	@	F4B-DL-35M-NL
	1-1/2	<b>128785</b>	F4B-DL-108	<b>074781</b>	F4B-DL-108-NL
209	40mm	<b>126623</b>	F4B-DL-40M	@	F4B-DL-40M-NL
	1-5/8	<b>128786</b>	F4B-DL-110L	@	F4B-DL-110L-NL
	1-11/16	<b>128787</b>	F4B-DL-111	<b>056970</b>	F4B-DL-111-NL
	1-3/4	<b>128788</b>	F4B-DL-112	<b>074782</b>	F4B-DL-112-NL
210	45mm	<b>126624</b>	F4B-DL-45M	@	F4B-DL-45M-NL
	1-15/16	<b>128789</b>	F4B-DL-115	<b>056968</b>	F4B-DL-115-NL
	2	<b>128790</b>	F4B-DL-200	<b>067969</b>	F4B-DL-200-NL
211	50mm	<b>126625</b>	F4B-DL-50M	<b>076608</b>	F4B-DL-50M-NL
	2	<b>128850</b>	F4B-DLM-200	@	F4B-DLM-200-NL
	2-3/16	<b>128792</b>	F4B-DL-203	@	F4B-DL-203-NL
212	55mm	<b>126626</b>	F4B-DL-55M	@	F4B-DL-55M-NL
	2-1/4	<b>128852</b>	F4B-DLM-204	@	F4B-DLM-204-NL
	2-7/16	<b>128794</b>	F4B-DL-207	<b>073279</b>	F4B-DL-207-NL
214	60mm	<b>126627</b>	F4B-DL-60M	<b>062475</b>	F4B-DL-60M-NL
	2-1/2	<b>128854</b>	F4B-DLM-208	@	F4B-DLM-208-NL
215	2-11/16	<b>128795</b>	F4B-DL-211	<b>062407</b>	F4B-DL-211-NL
	70mm	<b>126628</b>	F4B-DL-70M	@	F4B-DL-70M-NL
215	2-15/16	<b>062152</b>	F4B-DL-215	@	F4B-DL-215-NL

@ Assembled to order

FEATURES/BENEFITS PAGE B6-3	HOW TO ORDER/NOMENCLATURE PAGE B6-5	SELECTION/DIMENSIONS PAGE B6-10	ACCESSORIES PAGE B6-62
--------------------------------	--	------------------------------------	---------------------------

Bearing Reference Guide

ULTRA KLEEN

E-Z KLEEN

Extreme Duty

Setscrew Ball Bearing

GRIP TIGHT

D-LOK Ball Bearing

# SELECTION/DIMENSIONS



## D-LOK Ball Bearings DL NORMAL DUTY 4-BOLT FLANGE BEARINGS

Bearing Reference Guide

ULTRA KLEEN

E-Z KLEEN

Extreme Duty

Setscrew Ball Bearing

GRIP TIGHT

D-LOK Ball Bearing

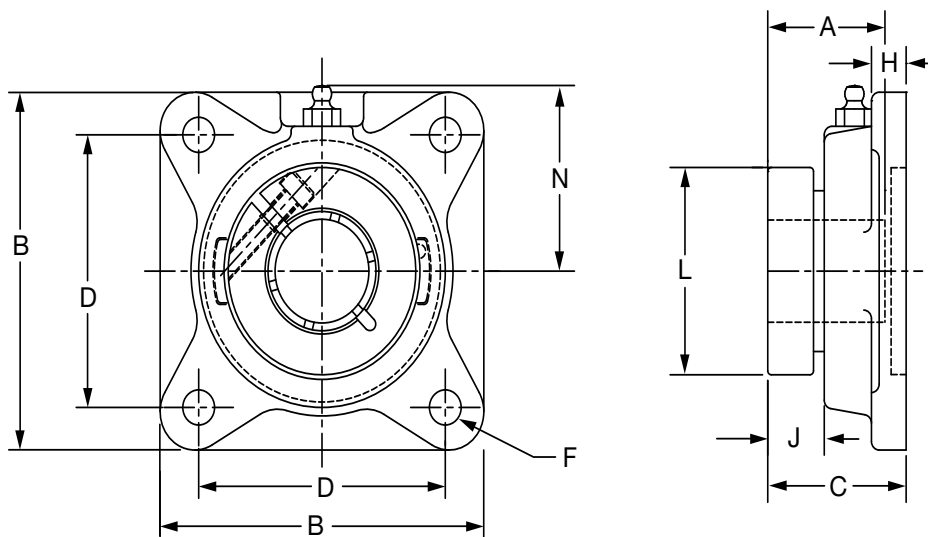
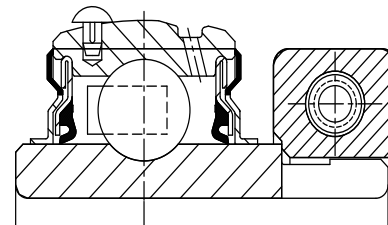
Series	Shaft Size	Weight lbs kg	A	B	C	D	F Bolt Dia.	H	J	L	N
204	3/4	1.7	1.28	3.38	1.39	2.5	3/8	0.44	0.41	1.71	1.94
	20mm	0.8	32.5	85.9	35.3	63.5	M10	11.2	10.4	43.4	49.3
205	7/8	2.2	1.44	3.75	1.47	2.75	7/16	0.5	0.51	1.99	2.06
	15/16	2.2									
	1	2.2									
206	25mm	1.0	36.6	95.3	37.3	69.9	M10	12.7	13.0	50.5	52.3
	1-1/8	3.8	1.56	4.25	1.60	3.25	7/16	0.50	0.53	2.22	2.19
	1-3/16	3.7									
207	1-1/4	3.7									
	30mm	1.7	39.6	108.0	40.6	82.6	M10	12.7	13.5	56.4	55.6
	1-3/8	4.4	1.75	4.75	1.79	3.63	1/2	0.56	0.57	2.69	2.44
208	1-7/16	4.3									
	35mm	2.0	44.5	120.7	45.5	92.2	M12	14.2	14.5	68.3	62.0
	1-1/2	5.8	2.01	5.13	2.05	4.00	1/2	0.56	0.70	2.74	2.38
209	40mm	2.6	51.1	130.3	52.1	101.6	M12	14.2	17.8	69.6	60.5
	1-5/8	6.0	2.01	5.38	2.06	4.13	9/16	0.63	0.66	2.99	2.75
	1-11/16	6.0									
210	1-3/4	5.9									
	45mm	2.7	51.1	136.7	52.3	104.9	M14	16.0	16.8	75.9	69.9
	1-15/16	7.0	2.01	5.63	2.10	4.38	9/16	0.63	0.63	3.24	2.88
211	2	6.9									
	50mm	3.1	51.1	143.0	53.3	111.3	M14	16.0	16.0	82.3	73.2
	2	11.0	2.25	6.50	2.30	5.13	5/8	0.69	0.71	3.69	3.25
212	2-3/16	11.0									
	55mm	5.0	57.2	165.1	58.4	130.3	M16	17.5	18.0	93.7	82.6
	2-1/4	13.3	2.38	6.88	2.45	5.63	5/8	0.69	0.73	4.11	3.50
214	2-7/16	13.0									
	60mm	5.9	60.5	174.8	62.2	143.0	M16	17.5	18.5	104.4	88.9
	2-1/2	14.6	2.60	7.38	2.85	5.88	5/8	0.69	0.66	4.38	3.69
215	2-11/16	14.6									
	70mm	6.6	66.0	187.5	72.4	149.4	M16	17.5	16.8	111.3	93.7
	2-15/16	18.8	2.40	7.75	2.99	6.00	3/4	1.00	0.74	4.69	3.88
			61.0	196.9	75.9	152.4	M18	25.4	18.8	119.1	98.6

FEATURES/BENEFITS PAGE B6-3	HOW TO ORDER/NOMENCLATURE PAGE B6-5	SELECTION/DIMENSIONS PAGE B6-10	ACCESSORIES PAGE B6-62
--------------------------------	--	------------------------------------	---------------------------



# SELECTION/DIMENSIONS

## D-LOK Ball Bearings DLM MEDIUM DUTY 4-BOLT FLANGE BEARINGS



Series	Shaft Size	Part No.	Description
206	1	<b>128843</b>	F4B-DLM-100
207	1-3/16	<b>128844</b>	F4B-DLM-103
	1-1/4	<b>128782</b>	F4B-DL-104
208	1-7/16	<b>128845</b>	F4B-DLM-107
	35mm	<b>126642</b>	F4B-DLM-35M
209	1-1/2	<b>128846</b>	F4B-DLM-108
	1-5/8	<b>128786</b>	F4B-DL-110L
210	1-11/16	<b>128847</b>	F4B-DLM-111
	1-3/4	<b>128848</b>	F4B-DLM-112
211	1-15/16	<b>128849</b>	F4B-DLM-115
	2	<b>128850</b>	F4B-DLM-200
212	2-3/16	<b>128851</b>	F4B-DLM-203
	2-1/4	<b>128852</b>	F4B-DLM-204
214	2-7/16	<b>128853</b>	F4B-DLM-207
	2-1/2	<b>128854</b>	F4B-DLM-208
	65mm	<b>126643</b>	F4B-DLM-65M
215	2-11/16	<b>062263</b>	F4B-DLM-211
216	2-15/16	<b>058395</b>	F4B-DLM-215
218	3-7/16	<b>073338</b>	F4B-DLM-307

@ Assembled to order

FEATURES/BENEFITS  
PAGE B6-3

HOW TO ORDER/NOMENCLATURE  
PAGE B6-5

SELECTION/DIMENSIONS  
PAGE B6-10

ACCESSORIES  
PAGE B6-62

# SELECTION/DIMENSIONS



## D-LOK Ball Bearings DLM MEDIUM DUTY 4-BOLT FLANGE BEARINGS

Bearing Reference Guide

ULTRA KLEEN

E-Z KLEEN

Extreme Duty

Setscrew Ball Bearing

GRIP TIGHT

D-LOK Ball Bearing

Series	Shaft Size	Weight lbs kg	A	B	C	D	F Bolt Dia.	H	J	L	N
206	1	3.8	1.56	4.25	1.6	3.25	7/16	0.5	0.53	2.22	2.19
			39.6	108.0	40.6	82.6	M10	12.7	13.5	56.4	55.6
207	1-3/16	4.4	1.75	4.75	1.79	3.63	1/2	0.56	0.57	2.69	2.44
	1-1/4	3.7	44.5	120.7	45.5	92.2	M12	14.2	14.5	68.3	62.0
208	1-7/16	5.9	2.01	5.13	2.05	4	1/2	0.56	0.7	2.74	2.38
	35mm	2.2	51.1	130.3	52.1	101.6	M12	14.2	17.8	69.6	60.5
209	1-1/2	6.4	2.01	5.38	2.06	4.13	9/16	0.63	0.66	2.99	2.75
	1-5/8	6.0	51.1	136.7	52.3	104.9	M14	16.0	16.8	75.9	69.9
210	1-11/16	7.4	2.01	5.63	2.10	4.38	9/16	0.63	0.63	3.24	2.88
	1-3/4	7.3	51.1	143.0	53.3	111.3	M14	16.0	16.0	82.3	73.2
211	1-15/16	11.1	2.25	6.50	2.3	5.13	5/8	0.69	0.71	3.69	3.25
	2	11.0	57.2	165.1	58.4	130.3	M16	17.5	18.0	93.7	82.6
212	2-3/16	13.3	2.38	6.88	2.45	5.63	5/8	0.69	0.73	4.11	3.5
	2-1/4	13.3	60.5	174.8	62.2	143.0	M16	17.5	18.5	104.4	88.9
214	2-7/16	14.8	2.6	7.38	2.85	5.88	5/8	0.69	0.66	4.38	3.69
	2-1/2	14.6									
	65mm	6.6	66.0	187.5	72.4	149.4	M16	17.5	16.8	111.3	93.7
215	2-11/16	20.3	2.40	7.75	2.99	6.00	3/4	1	0.74	4.69	3.88
			61.0	196.9	75.9	152.4	M18	25.4	18.8	119.1	98.6
216	2-15/16	20.6	2.62	7.75	3.33	6.00	3/4	0.88	0.83	4.99	4.09
			66.5	196.9	84.6	152.4	M18	22.4	21.1	126.7	103.9
218	3-7/16	36.1	2.72	8.44	3.58	6.75	3/4	1.00	0.79	5.49	4.63
			69.1	214.4	90.9	171.5	M18	25.4	20.1	139.4	117.6

FEATURES/BENEFITS PAGE B6-3	HOW TO ORDER/NOMENCLATURE PAGE B6-5	SELECTION/DIMENSIONS PAGE B6-10	ACCESSORIES PAGE B6-62
--------------------------------	--	------------------------------------	---------------------------